

## 2" BSP Threaded ATCO<sup>TM</sup> Heavy Duty ND50 Ball Valve AD5X16



The Perolo 2" ATCO<sup>TM</sup> self-contained ball valve is designed to be used as an air inlet or as a fluid inlet/outlet valve. With a super compact design, the 2" ATCO<sup>TM</sup> is light & economic.

SPECIFICATION	
Nominal diameter	50mm (2")
Weight	5.9 Kg
Inlet Connection	4 holes Ø 17 x 125 PCD
Outlet Connection	2" BSP or 2" NPT
Working Pressure	16 Bar
Test Pressure	24 Bar
Working Temperature	- 40° to +150°C (+250°C for HT)
Design Temperature	- 40° to +190°C

Temperature range vary according to the seal material

### CONFORMITY, CERTIFICATION & APPROVAL

Complies with ADR / IMDG / RID / EN14432

Approved by Bureau Veritas - A.C.I

### ACCESSORIES

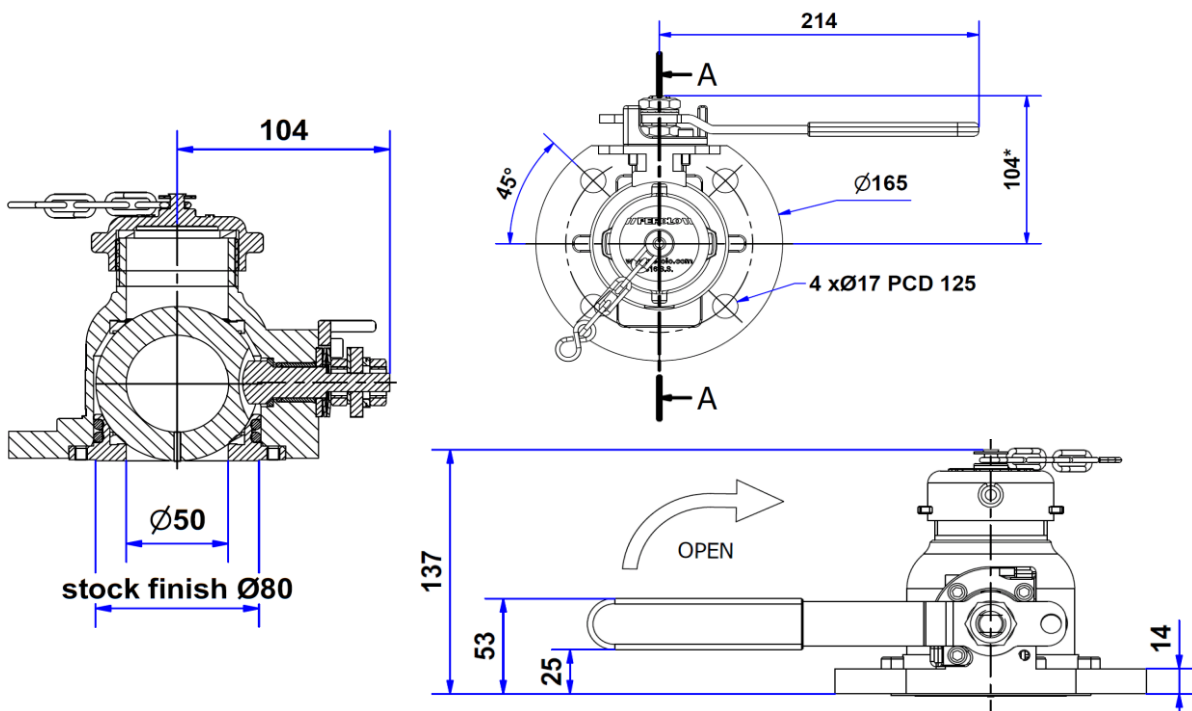
Weld-in flange	11 90 25 00 00
Bolting kit	17 12 12 96 00
Remote control Handle	11 14 55 91 00
Remote control	RMT 53
Pressure gauge	70 18 06 00 95
2" BSP Cap	11 12 03 40 00

### STANDARD FEATURES (See Codification for option)

Made of (material)	316L / 1.4409 stainless steel
Compact Design	Face To Face 137mm with Cap
Operation	Handle - 1/4 Turn or Remote Control*
Ball seals material	PTFE

\*clockwise opening for standard

### DIMENSIONAL DRAWING



Due to our policy of continuous product improvement, specifications may change without notice - Specification sheet PWA 11 14 61 20 00 E

Perolo warranty is null and void in case of fitting non OEM parts

It is the customer's responsibility to check the compatibility between valves material and transported product.

PEROLO SAS, 69 Rue des Maçons, 33390 Blaye, FRANCE - Phone : + 33 (0)5 5742 67 00 - Email : sales@perolo.com



