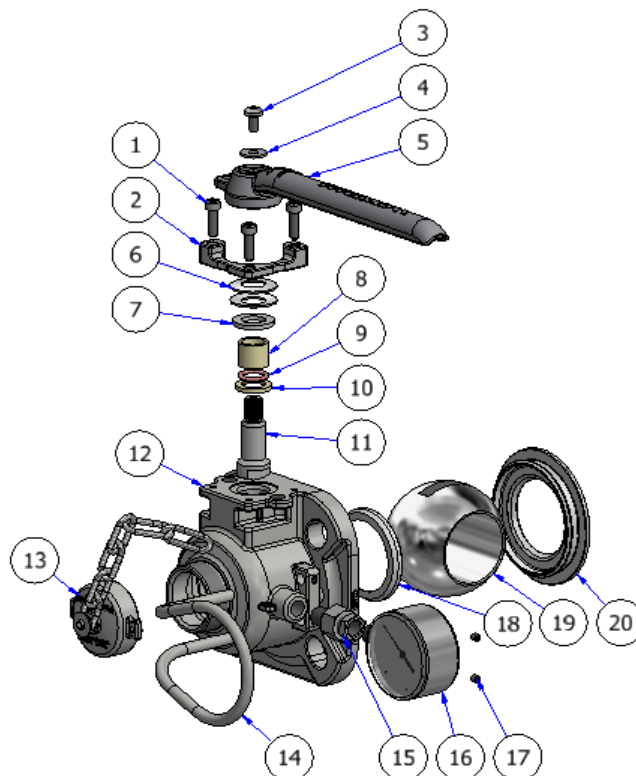
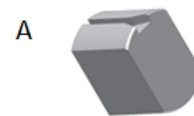


MAINTENANCE

ITEM	QTY	DESIGNATION	PART N°
Ball seals kit:			11 14 99 90 00
18	1	Upper ball seal (PTFE)	11 12 39 00 09
20	1	Lower gasket (PTFE)	11 14 99 10 04
Ball kit:			
19	1	Ball (316)	11 12 42 00 11
Drilled Ball kit:			
19	1	Drilled Ball (316)	11 12 39 00 11
Handle kit:			11 14 99 92 00
3	1	Screw M6x12	-
4	1	Washer Ø6	-
5	1	Handle	11 14 99 10 01
6	2	Elastic washer Ø16	-
7	1	Washer Ø16 wide series	-
Stop handle kit:			11 14 99 30 00
2	1	Stop handle	11 14 99 1A 02
1	3	Screw M6x20	-
Spindle seals kit:			11 14 99 93 00
8	1	Bearing Bush (PTFE)	11 12 39 00 14
9	1	O'Ring (FEP/silicone)	70 10 15 00 12
10	1	Spindle Gasket	11 12 39 00 21
Spindle kit:			11 14 99 94 00
11	1	Spindle (Duplex)	11 14 99 10 05
6	2	Elastic washer Ø16	-
7	1	Washer Ø16 wide series	-
Filter kit:			11 14 99 95 00
-	1	Filter (St st)	11 12 03 20 00
-	2	Lock Ring (St st)	-
1,5" Cap kit:			
13	1	1,5" std BSP Cap + Seal + Chain	11 14 01 31 00
-	1	Cap seal (PTFE)	11 12 03 40 02
Pressure gauge and protection:			
-	1	Plug 1/4"	70 12 39 37 07
16	1	Gauge (many models on request)	70 18 07 00 34
14	1	Gauge protection	11 14 99 00 01
17	2	Screw HC M5-5	70 13 08 37 10
15*	1	Union Fitting 1/4" BSP-M/F	70 12 13 37 41
Tools kit:			11 12 69 94 00
A	1	Spindle Assembly tool	11 12 69 92 01
B	1	O'Ring Assembly tool	11 12 69 92 02

Nb Perolo recommends :

- The spindle seals should be changed simultaneously to maintain the ball valve spindle perfectly tight.
- Both ball gaskets should be changed
- Valve should be in closed position during installation



*When the ATCO is installed on recess flange

