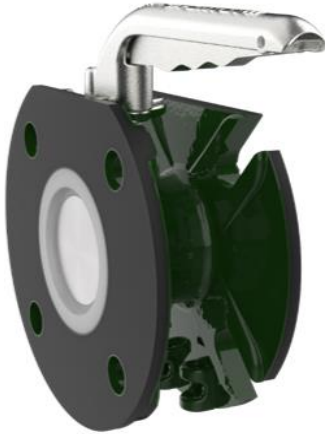


## 2" TANKFLY AIRLINE HIGH CORROSION ND50 Butterfly Valve TF5R



The 2" TANKFLY™ MKII flanged butterfly valve is designed to be used as a fluid inlet/outlet valve. With a super compact design, the 2" TANKFLY™ is light and economic.

This product consists of a HALAR & PTFE/PFA coated body and Hastelloy or titanium closure plate insuring an extreme resistance to corrosion.

**Caution: Please check the cargo compatibility with proposed materials**

SPECIFICATION	
Nominal diameter	50mm (2")
Weight	3.0 Kg
Inlet flange drilling	4 holes x Ø18 on a 125 PCD
Outlet flange drilling	4 holes x Ø18 on a min 114 PCD*
Working Pressure	7 Bar
Test Pressure	10.5 Bar
Working temperature	-40° to +150°C
Design Temperature	-40° to +190° C

NB: temperature range vary according to o'ring material

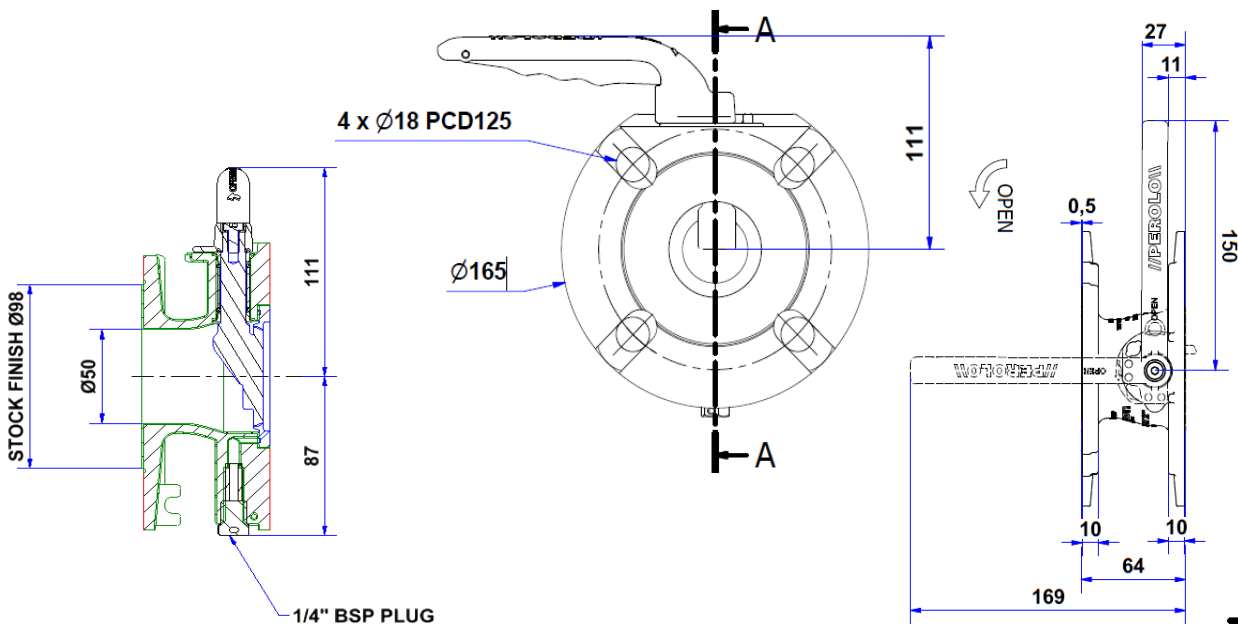
ACCESSORIES	
Weld-in flange	11 90 25 00 00
Recess flange	11 92 44 00 00
Blind flange	11 95 88 10 00
Bolting Kit	on request
Gasket	11 90 29 00 00
Remote control	RMT53
Remote control handle	11 17 20 11 00
Pressure gauge	70 18 06 00 95

CONFORMITY & CERTIFICATION	
ADR / IMDG / RID / EN14432	
Bureau Veritas, RMR	
STANDARD FEATURES (See Codification for option)	
Body: 316/1.4408 & HALAR and PFA/PTFE coated	
Closure plate: Hastelloy C276 or Titanium	
Compact design	Face to face 64 mm
Operation	Handle - 1/4 turn or Remote Control*
Gasket material	PTFE

\*anti-clockwise opening for standard

\*Other drilling on request

### DIMENSIONAL DRAWING



- High corrosion material, please see p2 for ball & spindle options
- PFA or PTFE coating
- HALAR coating thickness 500µ

Due to our policy of continuous product improvement, specifications may change without notice - Specification sheet PWA 11 17 14 20 00 E

It is the customer's responsibility to check the compatibility between valves material and transported product.

PEROLO SAS, 69 Rue des Maçons, 33390 Blaye, FRANCE -Phone : + 33 (0)5 5742 67 00 - Email : sales@perolo.com



**AIR LINE**

CODIFICATION

STANDARD PART NUMBER	TF5	R	7	T	1	1	S	1	1	.	H
----------------------	-----	---	---	---	---	---	---	---	---	---	---

YOUR PART NUMBER	TF5	R	7	T	1		S	1			
------------------	-----	---	---	---	---	--	---	---	--	--	--

<b>HIGH CORROSION - Coated Body</b>	
316/1.4408 Halar-PFA/PTFE coating	R

<b>MAWP</b>	
7 Bar	7

<b>WORKING TEMPERATURE</b>	
150 °C (PTFE seal)	T

<b>INLET FLANGE</b>	
4 slots x Ø18 x 125 PCD	1

<b>OUTLET FLANGE</b>	
4 open slots x Ø18 x min 114 PCD	1
4 x M16 x 125 PCD	2
4 slots x Ø18 x 125 PCD	3

<b>FILTER</b>	
Without filter	S

<b>GAUGE CONNECTION &amp; PLUG</b>	
with 1/4" BSP connection & plug	1

<b>GAUGE PROTECTION</b>	
without	1
with	2

<b>OPERATING SYSTEM</b>	
Standard Handle	.
Pneumatic Actuator	P
With Remote Control Handle	W

<b>HIGH CORROSION - Butterfly Material</b>	
Hastelloy C276	H
Titanium	T

