

3" (ND80) CHEMFLY "Light" Flanged Butterfly Valve LY3



The 3" CHEMFLY light butterfly valve is designed to discharge liquid chemicals and foodstuffs carried in road tankers, rail tank cars or stored in static tanks.

SPECIFICATION	
Nominal diameter	76 mm (3")
Weight	2.8 Kg
Inlet flange	4 holes x Ø14 x 130 PCD
Outlet flange	4 holes x M10 x 120 PCD
Working Pressure	7 Bar
Test Pressure	10.5 Bar
Working Temperature	-40° to +150°C
Design Temperature	-40° to +190°C

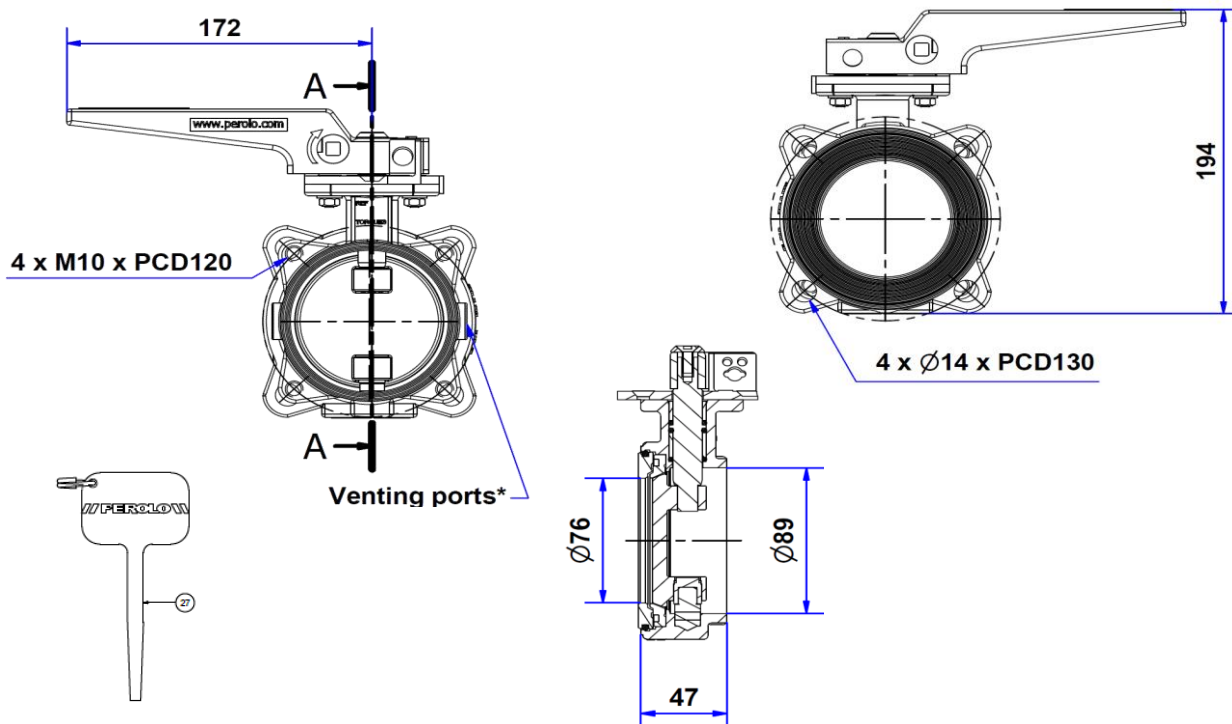
ACCESSORIES	
Inlet Nozzle	17 12 09 80 00
Inlet gasket	17 12 21 10 00
Inlet screw kit	17 12 11 92 00
3" BSP short outlet nozzle	17 12 09 70 00
3" BSP long outlet nozzle	17 12 09 71 00
Outlet gasket	17 12 21 00 01
Outlet screw kit	17 12 11 91 00
3" BSP cap kit	12 85 59 91 00

CONFORMITY, CERTIFICATION & APPROVAL	
Comply with ADR / IMDG / RID / EN14432	
Approved by Bureau Verita	

STANDARD FEATURES (See Codification for option)	
Made of (material)	316L / 1.4409 stainless steel
Compact Design	Face to face 47 mm
Operation	Locking Handle - 1/4 turn*
Closure plate seal	PTFE

*anti-clockwise opening for standard

DIMENSIONAL DRAWING



BUTTERFLY VALVE

Due to our policy of continuous product improvement, specifications may change without notice - Specification sheet PWA 17 12 20 20 00 F

Perolo warranty is null and void in case of fitting non OEM parts

It is the customer's responsibility to check the compatibility between valves material and transported product.

PEROLO SAS, 69 Rue des Maçons, 33390 Blaye, FRANCE - Phone : + 33 (0)5 5742 67 00 - Email : sales@perolo.com

CODIFICATION

STANDARD PART NUMBER

LY3 1 1 0

YOUR PART NUMBER

LY3 1 1

INLET FLANGE

4 x Ø14 x 130 PCD

1

OUTLET FLANGE

4 x M10 x 120 PCD

1

VENTING PORTS

None

0

1 x 3/8" NPT

1

1 x 3/8" BSP

2

2 x 3/8" NPT

3

2 x 3/8" BSP

4

1 x 3/8" BSP

G

1 x 1/2" BSP

H

