

3" (ND80) CHEMFLY "Light" Flanged Butterfly Valve LY3

INSTALLATION

CAUTION : Butterfly valve must be in closed position when the valve is installed.

To assemble the 3" CHEMFLY:

1. Ensure that the Inlet (tank side) flange is clean; free from dirt and grit.
2. In order to avoid any damage caused to the valve seat when doing the equipment assembly, ensure the butterfly is in closed position.
3. Fit the valve in position and begin to screw the 4 bolts Inlet side.
4. Cross-tighten the bolts symmetrically torque of 30 N.m +/- 5, for more details please check PWAGEN001

OPERATION

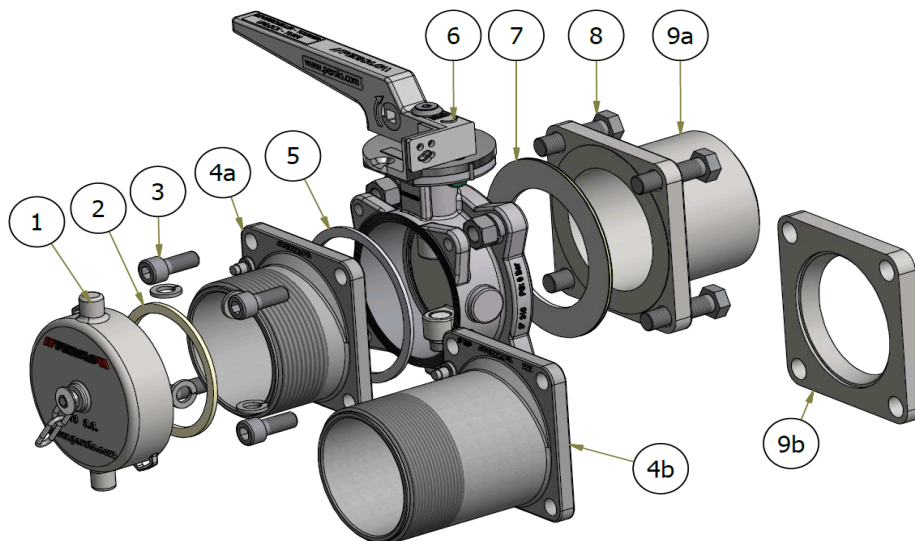
To open the valve, unlock with the special key then rotate handle to the opening position

To close the valve, rotate handle to the close position until it locks.

When locked, the valve cannot operate

**CAUTION : Do not open the valve under pressure when it is not connected to any downstream pipe
 Please check the chemical compatibility of the cargo with the valve material**

Item	Designation	Part number
1, 2	3" BSP cap kit	12 85 59 91 00
4a	3" BSP short outlet	17 12 09 70 00
4b	3" BSP long outlet	17 12 09 71 00
3	Screw kit: 4 x M10 CHC screws, 4 washers	17 12 11 91 00
5	Outlet gasket PTFE	17 12 21 00 01
6	3" CHEMFLY butterfly valve	LY311
8	Screw kit: 4 x M12 CHC screws, 4 washers, 4 nuts	17 12 11 92 00
7	Inlet gasket (synthetic fibers)	17 12 21 10 00
9a	Inlet welding	17 12 09 80 00
9b	Square inlet flange	17 12 09 81 00



Due to our policy of continuous product improvement, specifications may change without notice - Installation sheet PWA 17 12 20 30 00 D

Perolo warranty is null and void in case of fitting non OEM parts

It is the customer's responsibility to check the compatibility between valves material and transported product.

PEROLO SAS, 69 Rue des Maçons, 33390 Blaye, FRANCE - Phone : + 33 (0)5 5742 67 00 - Email : sales@perolo.com

