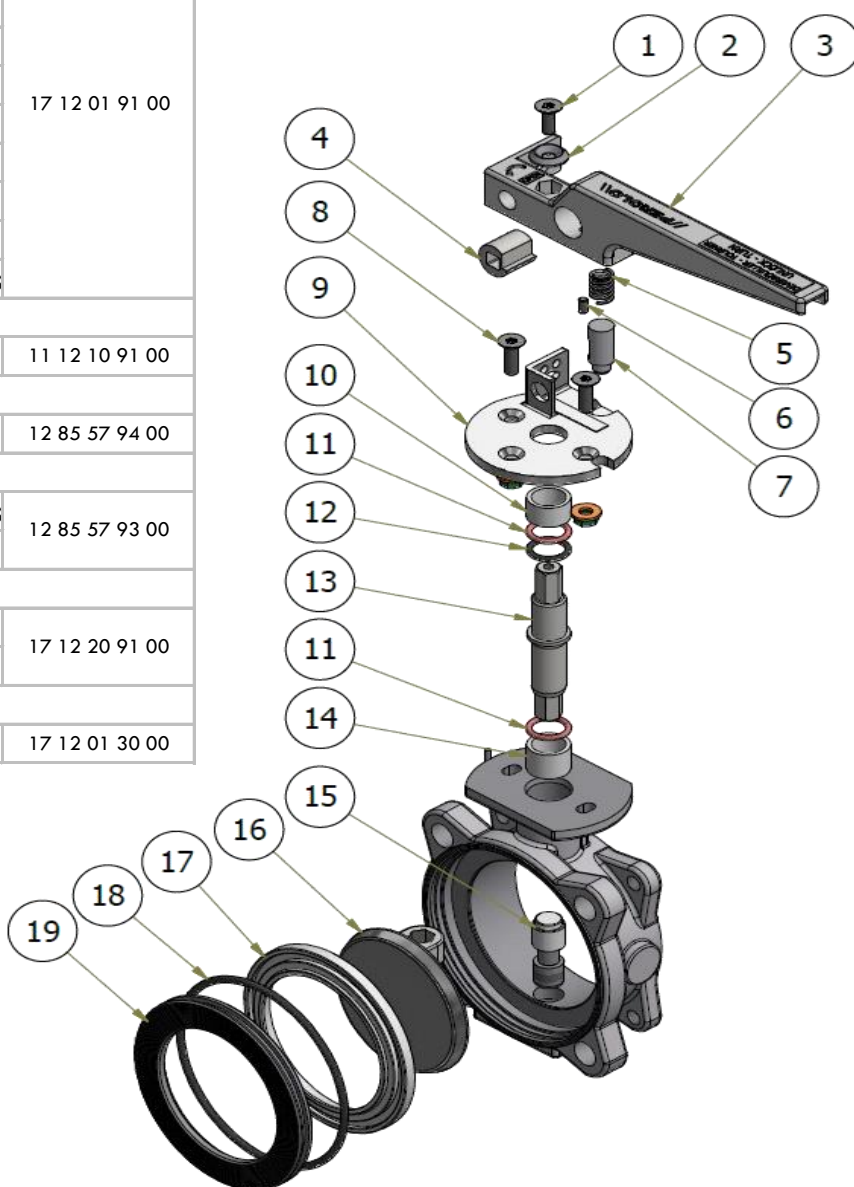
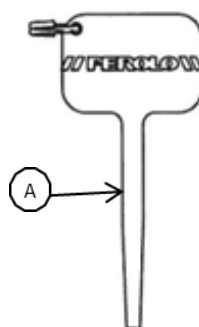


MAINTENANCE



ITEM	QTY	DESIGNATION	PART N°
<b>Handle kit</b>			
1	1	Screw M6-16, Stainless steel	17 12 01 90 00
3	1	Handle, Stainless steel	
2	1	Washer	
5	1	Spring, Stainless steel	
7	1	Handle spindle, Stainless steel	
4	1	Center boss, Stainless steel	
6	1	M4-8 screw	
<b>Spindle Seals kit</b>			
1	1	Screw M6-16, Stainless steel	17 12 01 91 00
2	1	Washer	
8	3	Screws M6-20, Stainless steel	
9	3	Washers, Stainless steel	
	3	Nuts, Stainless steel	
10	1	Spindle bush, PTFE & glass 25%	
14	1	Spindle bush, PTFE & glass 25%	
12	1	O'ring, Viton	
11	2	O'ring, PTFE & silicon	
15	1	Closure plate bush, PTFE & glass 25%	
<b>Spindle</b>			
13	1	Spindle (stainless steel)	11 12 10 91 00
<b>Closure plate seal kit</b>			
17	1	Closure plate seal, PTFE	12 85 57 94 00
<b>Closure plate kit</b>			
15	1	Closure plate bush, PTFE & glass 25%	12 85 57 93 00
16	1	Closure plate, Stainless steel	
<b>Clamping ring kit</b>			
18	1	O'Ring, nitril	17 12 20 91 00
19	1	Clamping ring, Stainless steel	
<b>Handle Locking Key</b>			
A	1	Key	17 12 01 30 00



**BUTTERFLY VALVE**

Due to our policy of continuous product improvement, specifications may change without notice - Maintenance sheet PWA 17 12 20 40 00 A

Perolo warranty is null and void in case of fitting non OEM parts

It is the customer's responsibility to check the compatibility between valves material and transported product.

PEROLO SAS, 69 Rue des Maçons, 33390 Blaye, FRANCE - Phone : + 33 (0)5 5742 67 00 - Email : sales@perolo.com